

Features

- *Two way passive cabinet*
- *Application Flexibility*
- *Multiple mounting points*
- *Small and versatile*

Applications

- *Bars and Nightclubs*
- *Houses of Worship*
- *Retail Outlets*
- *Theatres and Performing Arts venues*

Mid-Hi Loudspeaker, Reflex Tuning



The BR series of cabinets is the answer to professional installation needs.

OHM knows that every application is individual and with that in mind we will help you every step of the way to choose the system which most suits your environment. With ever increasing emphasis on aesthetics and the ability to fade into the background being as important as the way the systems sounds, the OHM BR series will provide the solution for any venue from background to dance floor to medium sized auditoriums. From the smallest cabinet, BR-5 up to the largest BR-15 along with perfectly matched subwoofers the BR series provides the highest level of performance with unsurpassed reliability and value for money with complete flexibility and superb sound quality.

BR-6 is a small, double 6" low mid driver with horn loaded tweeter, two way mid high cabinet for background music applications in various locations.

A wide dispersion angle of 135° x 65° and maximum SPL of 125.5dB makes it ideal for distributed sound in problematic areas where space is restricted.

Comprehensive array of hardware and multiple mounting points allow flexible installation.

Two rear mounted 4 pole speakons allow for easy daisy chaining.

Available in white with a metal grill or black with a foam fronted metal grill also available in RAL colours on request.

TECHNICAL SPECIFICATION

Design	Mid High Cabinet, Reflex Tuning.
Impedance	8 Ohm
Power handling AES	250 Watts
Maximum power handling	500 Watts Program
Sensitivity 2.83v / 1m	96.5 dB SPL nominal (185 Hz - 19.5 kHz)
Max SPL	119.5 dB (cont. max SPL / 1m), 125.5 dB peak
Frequency response -3dB	185 Hz - 19.5 kHz
Crossover frequency	3.5 kHz
Recommended HPF	125 Hz Butterworth 18 dB per Octave
Dispersion	135° x 65°

SYSTEM OPERATION

Recommended Amplification	250W - 500W @ 8 Ohm
System Controller	OHM DSP Solutions
Speaker Cables	Min 2 x 2.5 mm ² Preferred 2 x 4 mm ²

PRODUCT FEATURES

Components	2 x 6" Low Frequency Woofer , 1 x 1" horn loaded tweeter
Crossover	Passive
Connectors	2 x 4 pole Speakon Connectors
Additional Descriptive Data	18 mm MDF construction, with durable scratch resistant black textured paint finish, kick-proof steel grill finished with reticulated black foam and stainless steel OHM logo.

Rigging	3 x mounting points,
Dimensions (H x W x D)	410 mm x 189 mm x 184 mm
Weight (Kgs)	5.5
Colour	Black
Options	Available in white or Ral colours on request.
Hardware	Optiona SWB or SS-A mounting adaptors, BC-6 wall/ceiling mounting cradle

CONFIGURATION

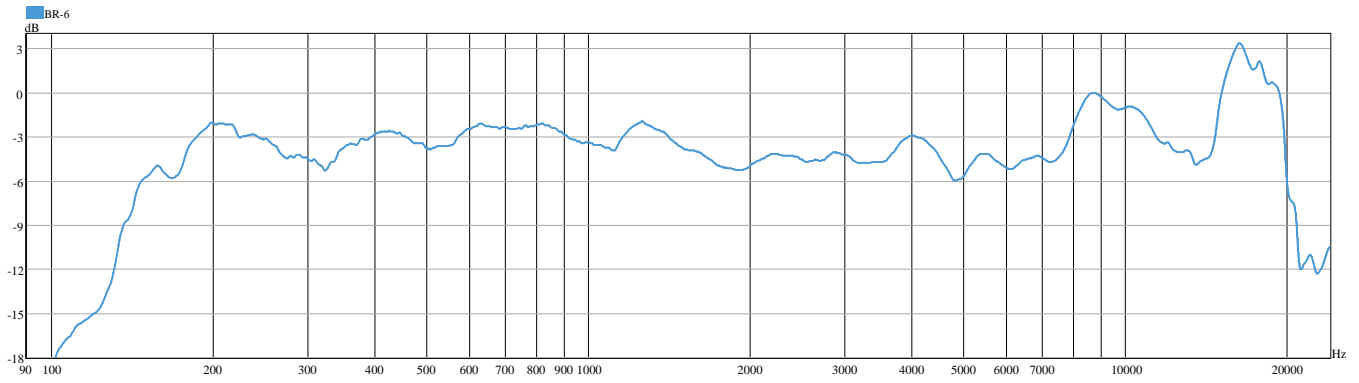
	Transducer	Loading
LF	2 x 6" Low	Reflex
MF / HF	1 x 1" Tweeter	Horn Loaded

Operating Mode	Amplifier Channels	External Signal Processing
Single	Full operating range	OHM DSP SOLUTIONS

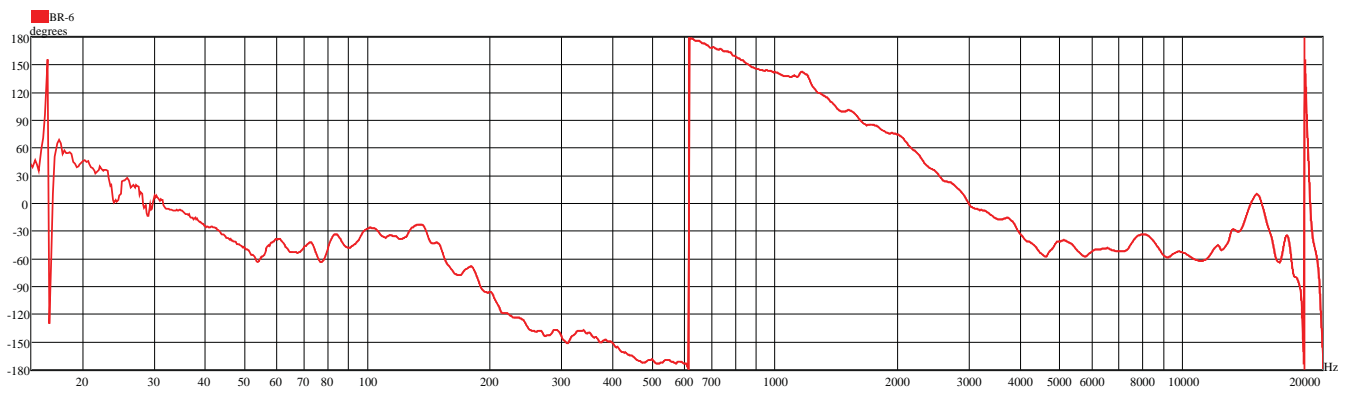
PERFORMANCE

Operating Range (-6 dB)	145 Hz to 20 kHz	
Nominal Beamwidth	Horz	135°
	Vert	65°
Axial Sensitivity	FR	96.5 dB
Input Impedance		185 Hz - 19.5 kHz
	Nominal	Minimum
	FR 8 Ω	7.2 @ 296 Hz

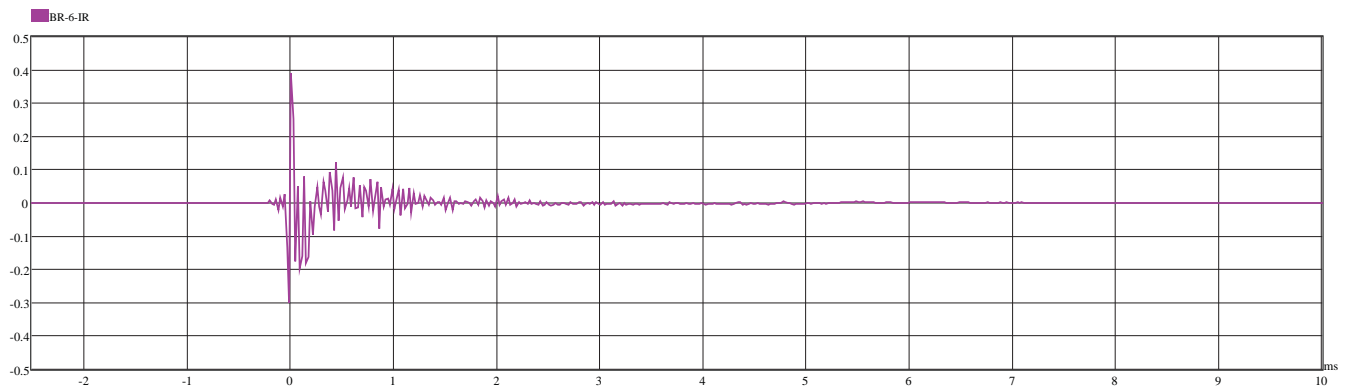
Frequency Response



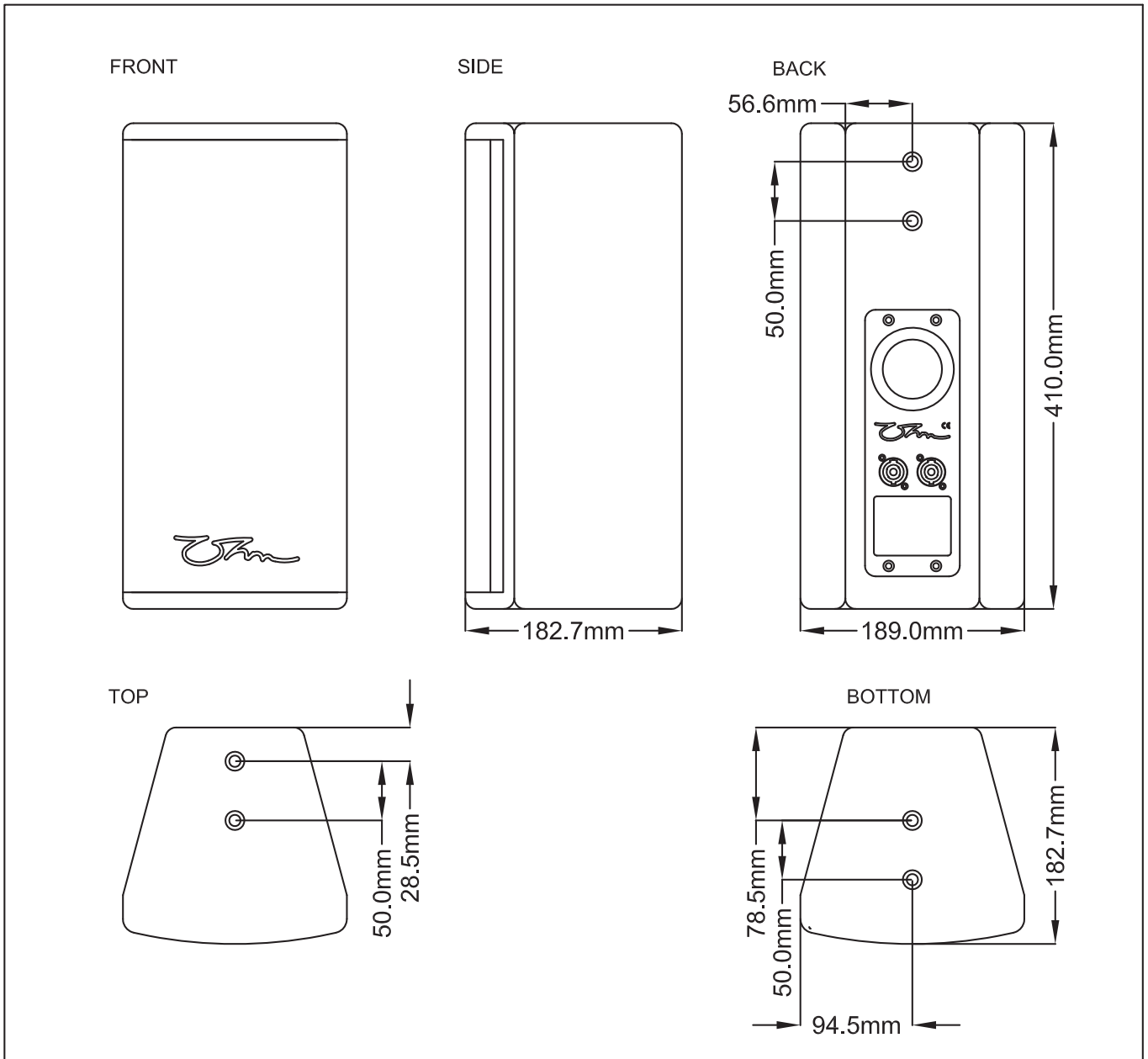
Phase Response



Impulse Response



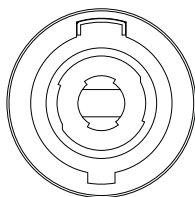
Cabinet Dimensions



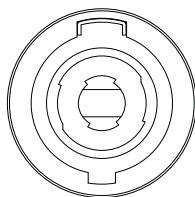
Wiring Information

2 x 4 pole Neutrik Speakon connectors

- 1+ Full Range +
- 1- Full Range -
- 2+ Linked +
- 2- Linked +



INPUT



LINK