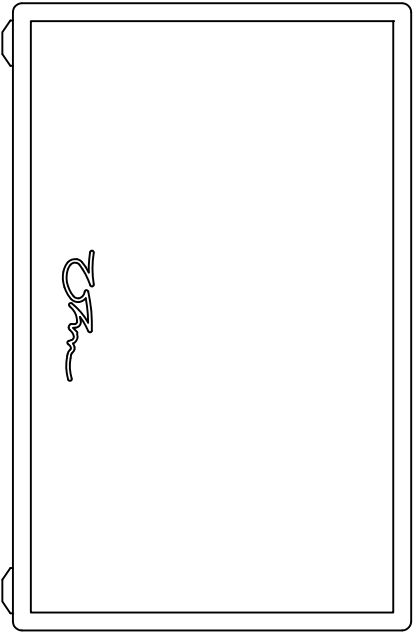
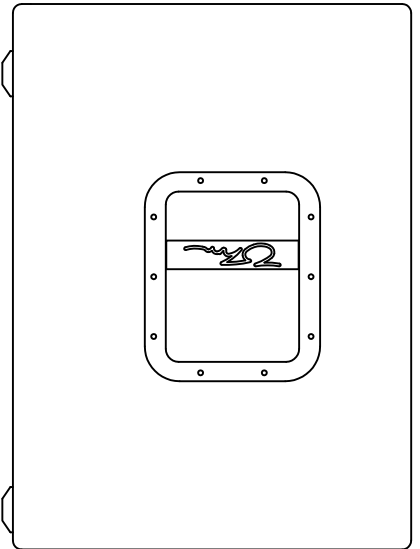


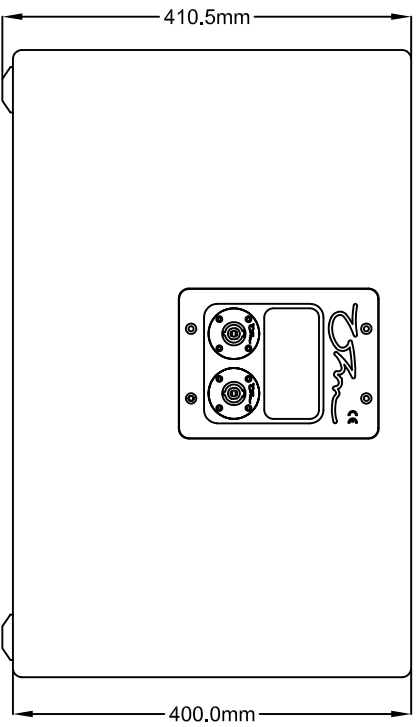
FRONT



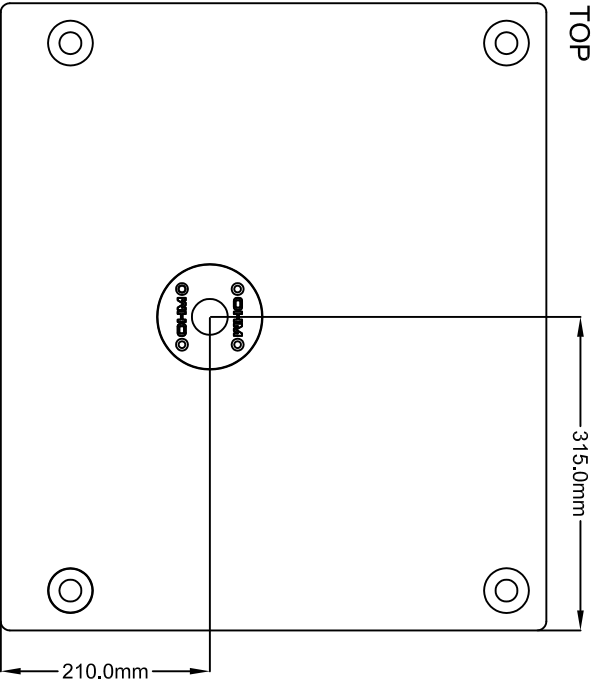
SIDE



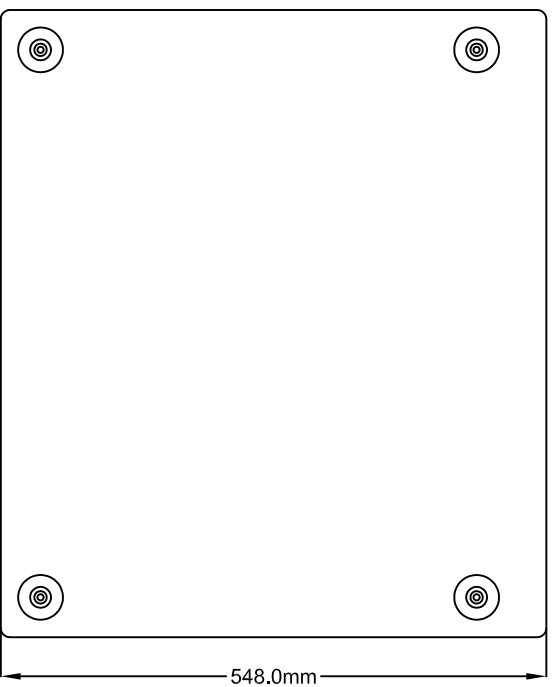
BACK



TOP



BOTTOM



1:1 Drawing of 1/100 scale of original model		Project	DWG. NO.	COMPANY
NAME:	SIGNATURE:	DATE:		<b>IDEX LTD</b>
DRAWN: ATTILIO		12-10-2010		<b>BR-18B Subwoofer</b>
CHECK:				<b>Cabinet</b>
APPROVED:				<b>MATERIAL: BIRCH PLY</b>
MFG:				
Q.A.				
Version				
Notes/Changes				
SCALE: 1:1	SHEET TOP			WEIGHT