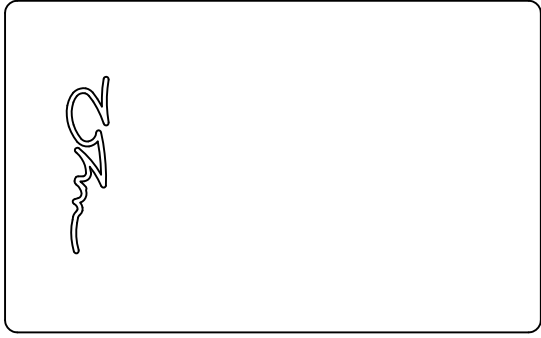
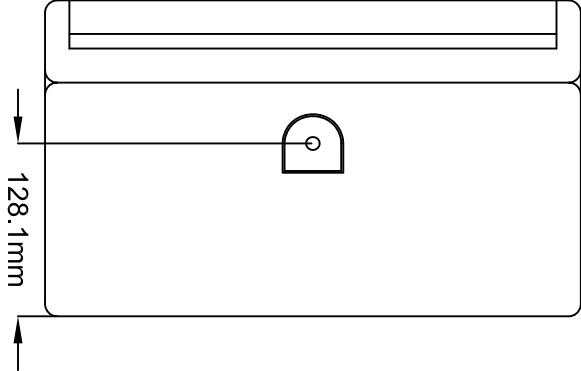


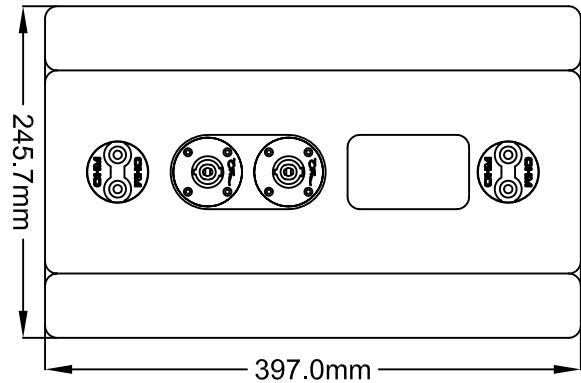
FRONT



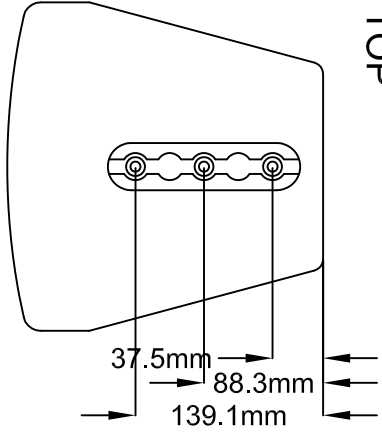
SIDE



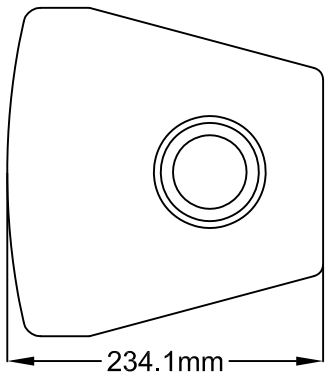
BACK



TOP



BOTTOM



All Dimensions in MM unless otherwise stated.		Finish:	DWG. NO.	COMPANY
NAME:	SIGNATURE:	DATE:		IDEX LTD
DRAWN: ATTHOMAS		13-12-2010		TITLE:
CHKD:				MOON 8"
APPRVD:				Cabinet
MFG:				MATERIAL: Birch Ply
O.A:				WEIGHT:
Version:				
Notes/Changes				

SCALE: 1:1

SHEET 1 OF