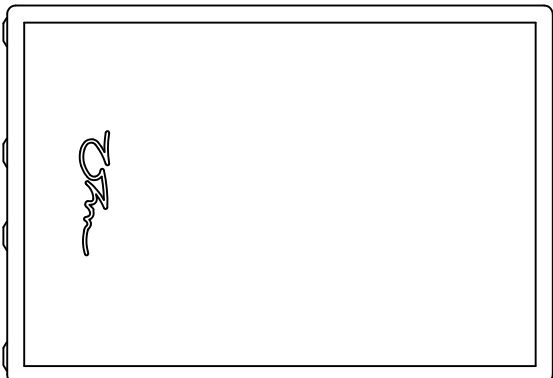
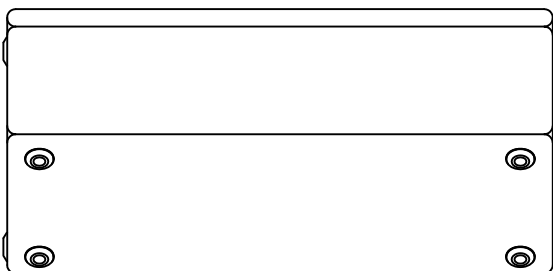


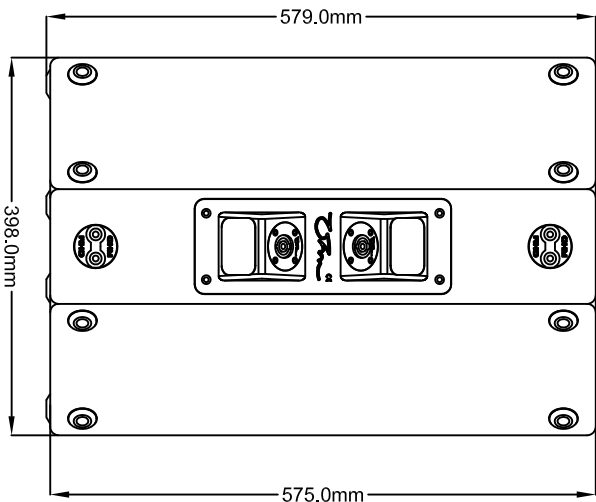
FRONT



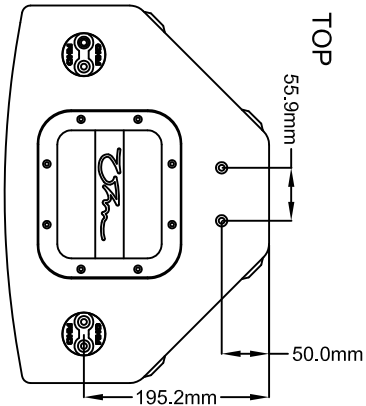
SIDE



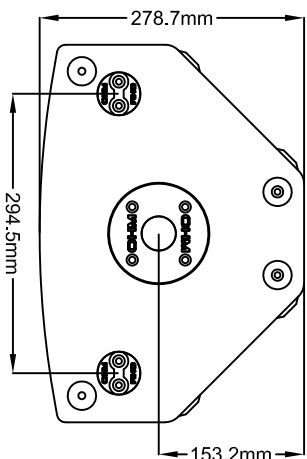
BACK



TOP



BOTTOM



All Dimensions in Millimeters unless otherwise stated.		Title:		Drawing No.:		Company:	
DESIGN	DATE	REVISED	DATE	IDEX LTD			
APPROVED				TRRS-112			
Cabinet				Material: Birch Ply			
Version: 1				Weight:			
Revised/Changes:				Scale: 1:1			
				Sheet of:			